



copyright © Oldtimer Garage
www.oldtimergarage.eu

Wiring diagram

M72

" - " on body

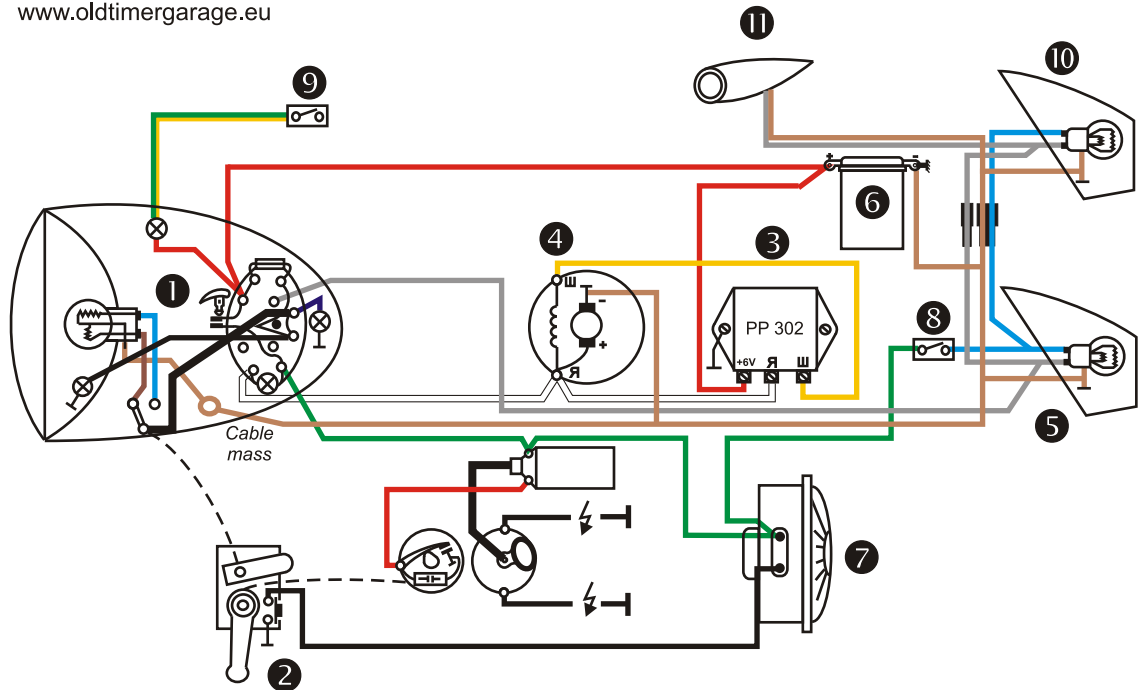


Fig. 1 with mechanical voltage regulator PP302, designed to work with LED

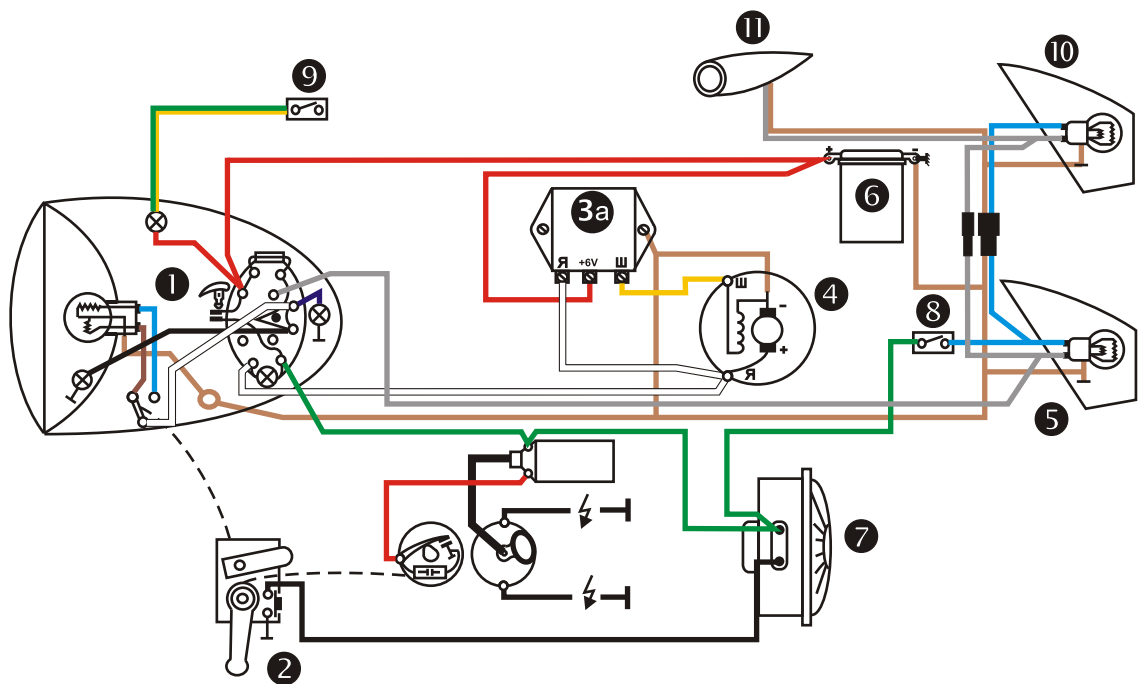
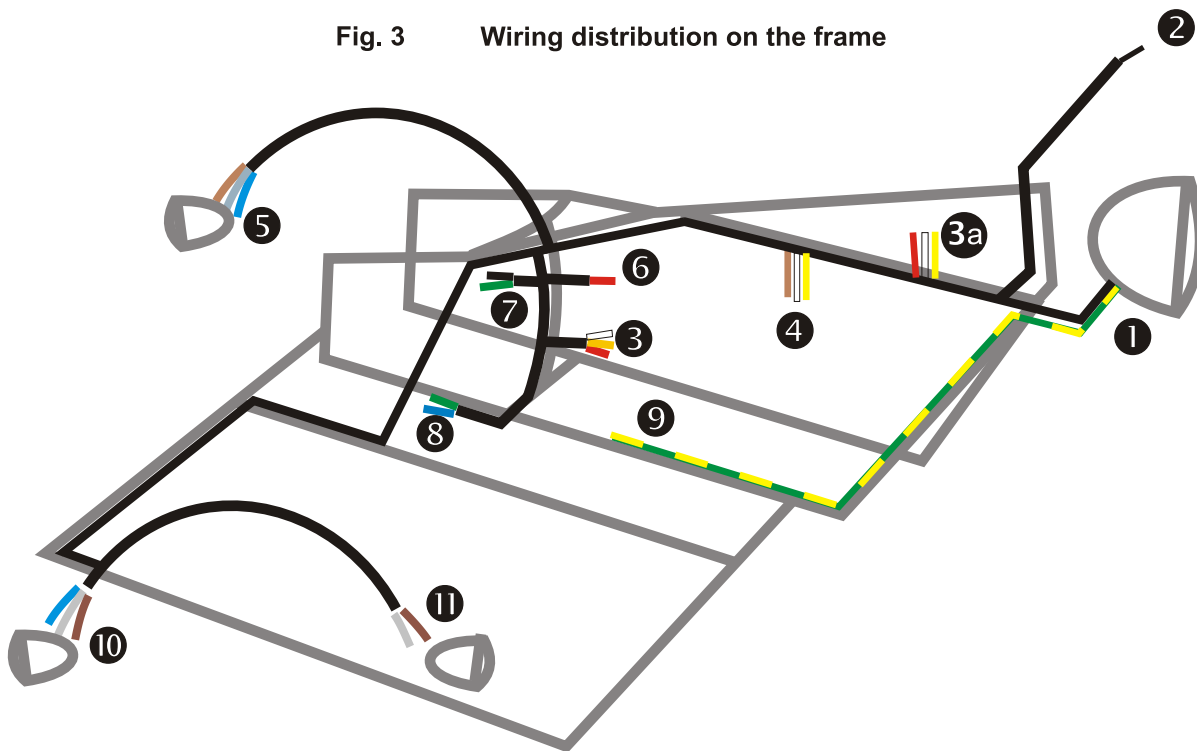


Fig. 2 with electronic voltage regulator, designed to work with LED

Fig. 3 Wiring distribution on the frame



- 1. Headlamp
- 2. Light beam switch
- 3. Mechanical voltage regulator PP302
- 3a. Electronic voltage regulator (optional)
- 4. Generator 6V, typ G414
- 5. Rear Lamp
- 6. Battery
- 7. Horn
- 8. Switch, brake light
- 9. Switch, neutral control lamp (optional with MT801 gearbox)
- 10. Rear lamp, sidecar
- 11. Front lamp, sidecar

Additional photos at:
<http://www.oldtimergarage.eu/uk/help/5.html>

Picture 4 Necessary changes inside generator for use with electronic regulator

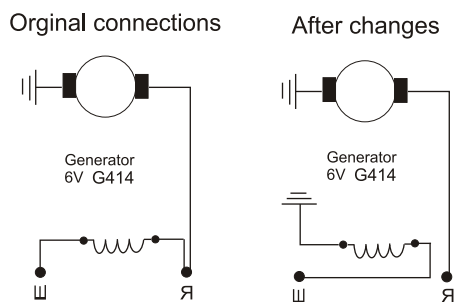


Fig. 5 Ignition switch diagram

